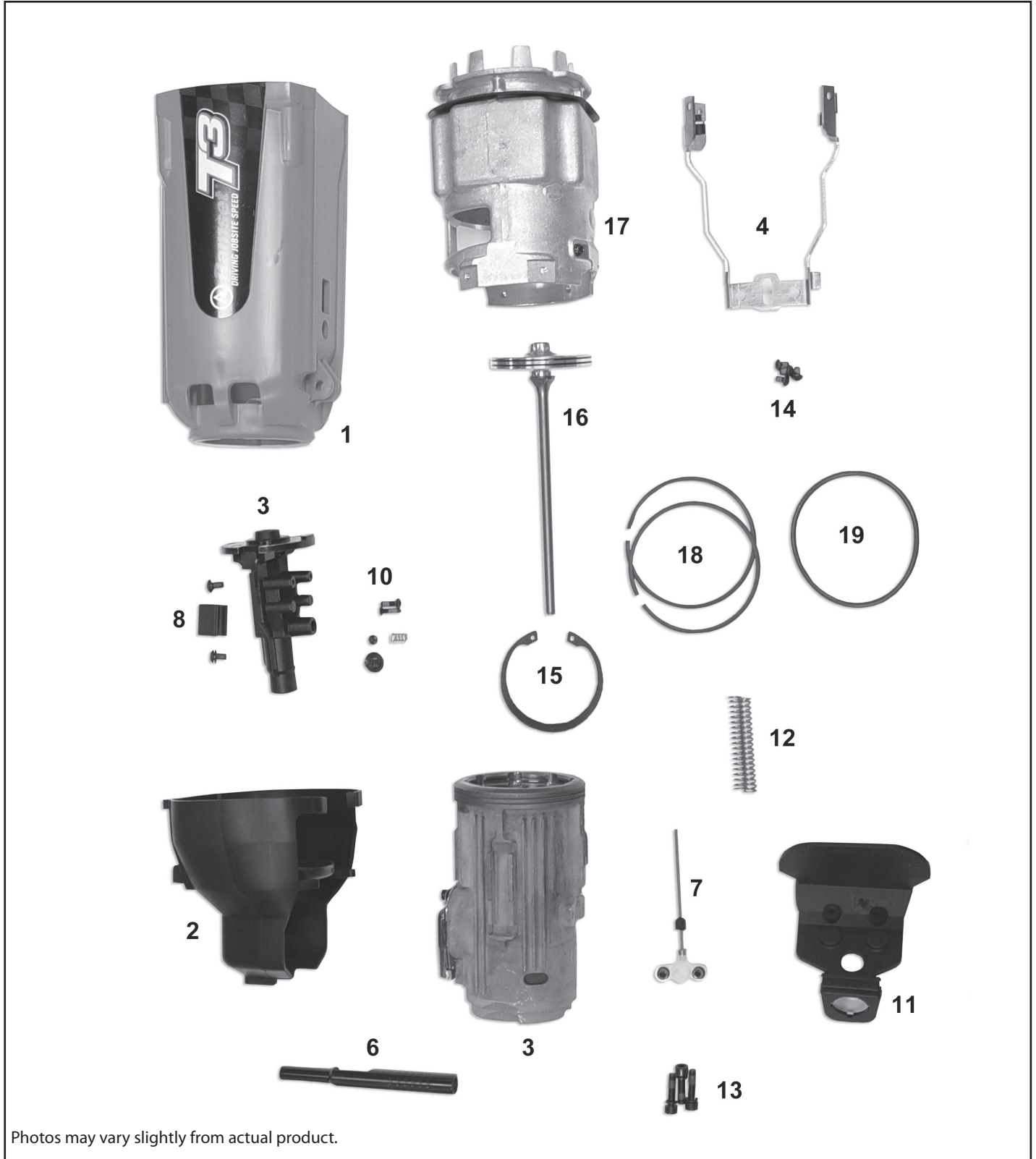


**T3SS NOSE & HOUSING
ASSEMBLY SCHEMATIC**



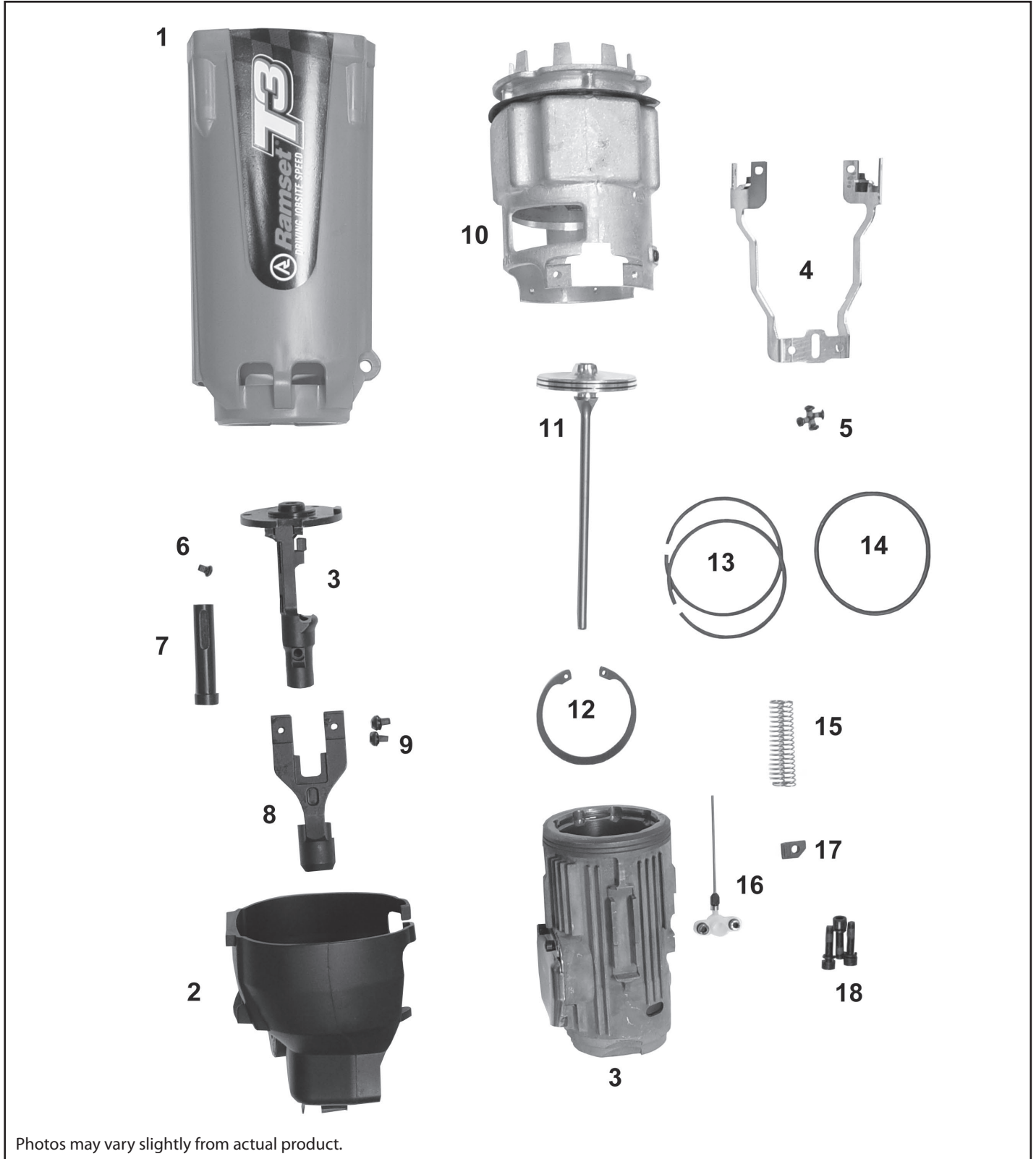
ORDER BY PHONE: 1-800-241-5640

T3SS NOSE & HOUSING ASSEMBLY PARTS LIST

KEY	PART NO.	DESCRIPTION
1	B0001	HOUSING, T3
2	B0096	SHROUD, T3SS
3	B0052T3SS	SLEEVE/NOSE ASSEMBLY, T3SS (Includes Sleeve, Flanged Nose Piece, Bumper, & Muffler Assembly)
4	B0217A	CAGE ASSEMBLY WITH SCREWS, T3SS/T3MAG
5	B0175	SHEAR BLOCK PLATE KIT (NOT SHOWN) (For tools before October 2007, S/N: 1407100277 & Old Style Pinned Nose)
5A	EM150302	SHOULDER SCREW FROM B0175 KIT (EA)
5B	12388	SPRING FROM B0175 KIT (EA)
5C	B0163	NUT FROM B0175 KIT (EA)
6	E150100	WORK CONTACT ELEMENT (WCE), T3SS
	M150200	MAGNETIC WORK CONTACT ELEMENT (NOT SHOWN)
7	B0054A	FUEL INJECTION TUBE ASSEMBLY
8	B0047A	GUIDE BLOCK ASSEMBLY
9	B0179	SHROUD PLUG
10	B0218	WCE RETENTION KIT (For tools after October 2007, S/N 1407100278 and later)
11	100008A	AUXILIARY SHROUD, T3SS
12	B0037A	CAGE SPRINGS (PKG QTY 2)
13	B0059A	HOUSING SCREWS (PKG QTY 3) (For tools built August 2010, S/N 1410080120 and before with Pinned Nose)
13	B0238	SCREW, HOUSING (3 Required – Sold Individually) (For tools built September 2010, S/N 141009001 and after with Flanged Nose)
14	B0057	SCREW, CAGE TO COMBUSTION CHAMBER (4 Required – Sold Individually)
15	B0068	PISTON STOP RING
16	B0031A	PISTON ASSEMBLY (W/RINGS)
	B0034A	PISTON RINGS (PKG QTY 2)
17	B0178	COMBUSTION CHAMBER, T3SS/T3MAG
18	100154A	STEEL RINGS, SLEEVE (PKG QTY 2) (For tools after February 2011, S/N: 1411020066)
19	B0042	SLEEVE O-RING (For tools before February 2011, S/N: 1411020065)

ORDER BY PHONE: 1-800-241-5640

T3 MAGAZINE NOSE ASSEMBLY SCHEMATIC



Photos may vary slightly from actual product.

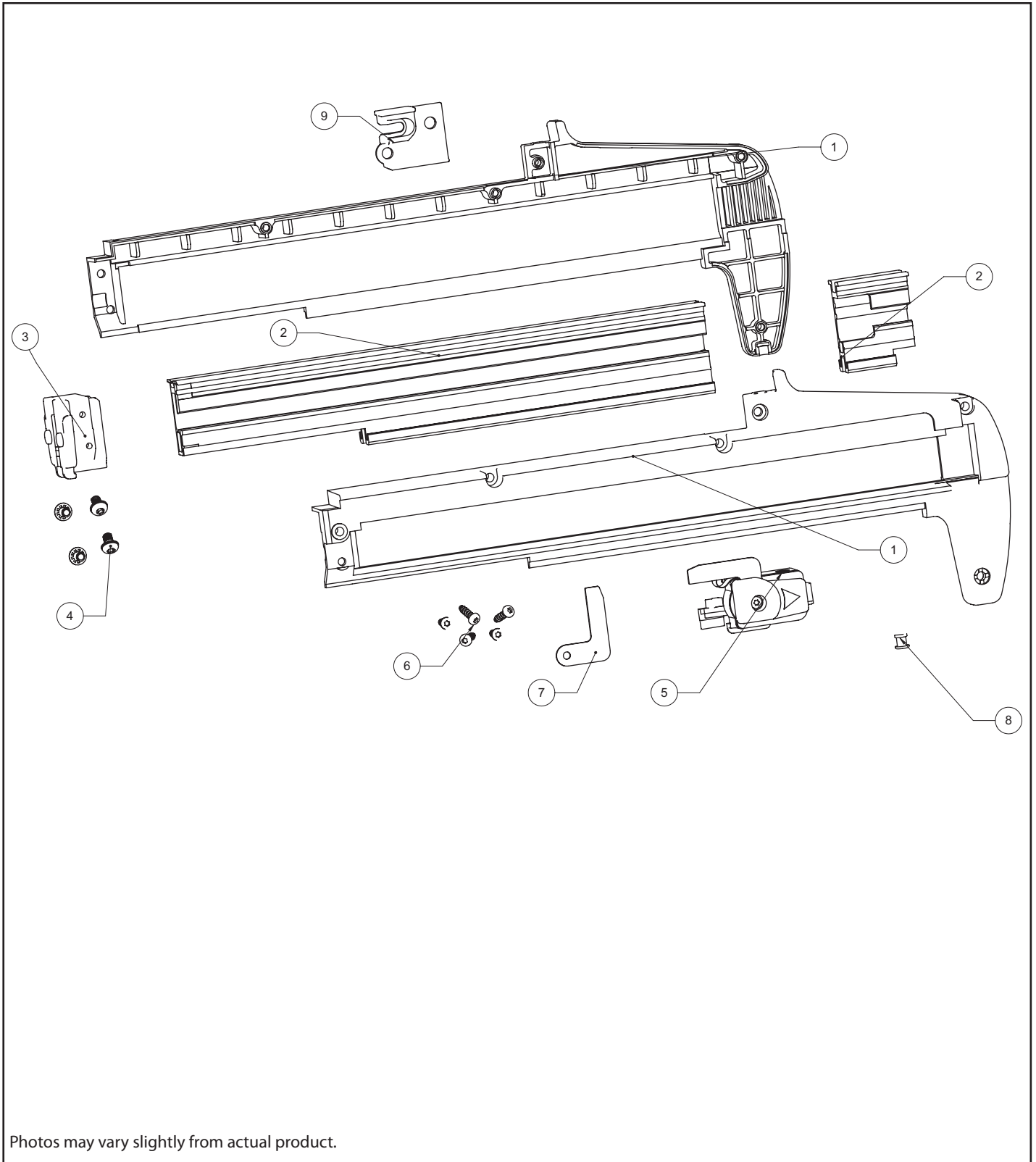
ORDER BY PHONE: 1-800-241-5640

T3 MAGAZINE NOSE ASSEMBLY PARTS LIST

KEY	PART NO.	DESCRIPTION
1	B0001	HOUSING, T3
2	B0199	SHROUD, T3MAG
3	B0052A	SLEEVE/NOSE ASSEMBLY, T3MAG (Includes Sleeve, Flanged Nose Piece, Bumper, & Muffler Assembly)
4	B0217A	CAGE ASSEMBLY WITH SCREWS, T3SS/T3MAG
5	B0057	SCREW, CAGE TO COMBUSTION CHAMBER (4 Required – Sold Individually)
6	B0220	SCREW, PIN GUIDE
7	B0111A	PIN GUIDE WITH SET SCREW
8	B0122A	ACTUATOR WITH SCREWS
9	B0226	SCREW, ACTUATOR TO CAGE (2 Required – Sold Individually)
10	B0178	COMBUSTION CHAMBER, T3SS/T3MAG
11	B0031A	PISTON ASSEMBLY (W/ RINGS)
	B0034A	PISTON RINGS (PKG QTY 2)
12	B0068	PISTON STOP RING
13	100154A	STEEL RINGS, SLEEVE (PKG QTY 2) (For tools after March 2011, S/N: 1511030001)
14	B0042	SLEEVE O-RING (For tools before March 2011, S/N: 1511030000)
15	B0037A	CAGE SPRINGS (PKG QTY 2)
16	B0054A	FUEL INJECTION TUBE ASSEMBLY
17	B0105	SECURITY STOP
18	B0209A	HOUSING SCREWS & SECURITY STOP (PKG QTY 3 SCREWS) (For tools built August 2010, S/N 1510080100 and before with Pinned Nose)
18	B0238	SCREW, HOUSING (3 Required – Sold Individually) (For tools built August 2010, S/N 1510080101 and after with Flanged Nose)
19	B0179	SHROUD PLUG
—	B0222A	T3MAG EASY RELEASE ACTUATOR & CAGE KIT (Includes: Actuator & Cage)
—	B0232A	T3MAG UPGRADE KIT 2 (Includes: Sleeve, Nose, Actuator, Cage, Pin Guide, Magazine Latch Bracket, Shear Block, & Knob Kit)
—	B0233A	T3MAG UPGRADE KIT 3 (Includes: Sleeve, Nose, Actuator, Cage, Pin Guide, Complete Magazine Assembly & Knob Kit)

ORDER BY PHONE: 1-800-241-5640

T3 MAGAZINE ASSEMBLY SCHEMATIC

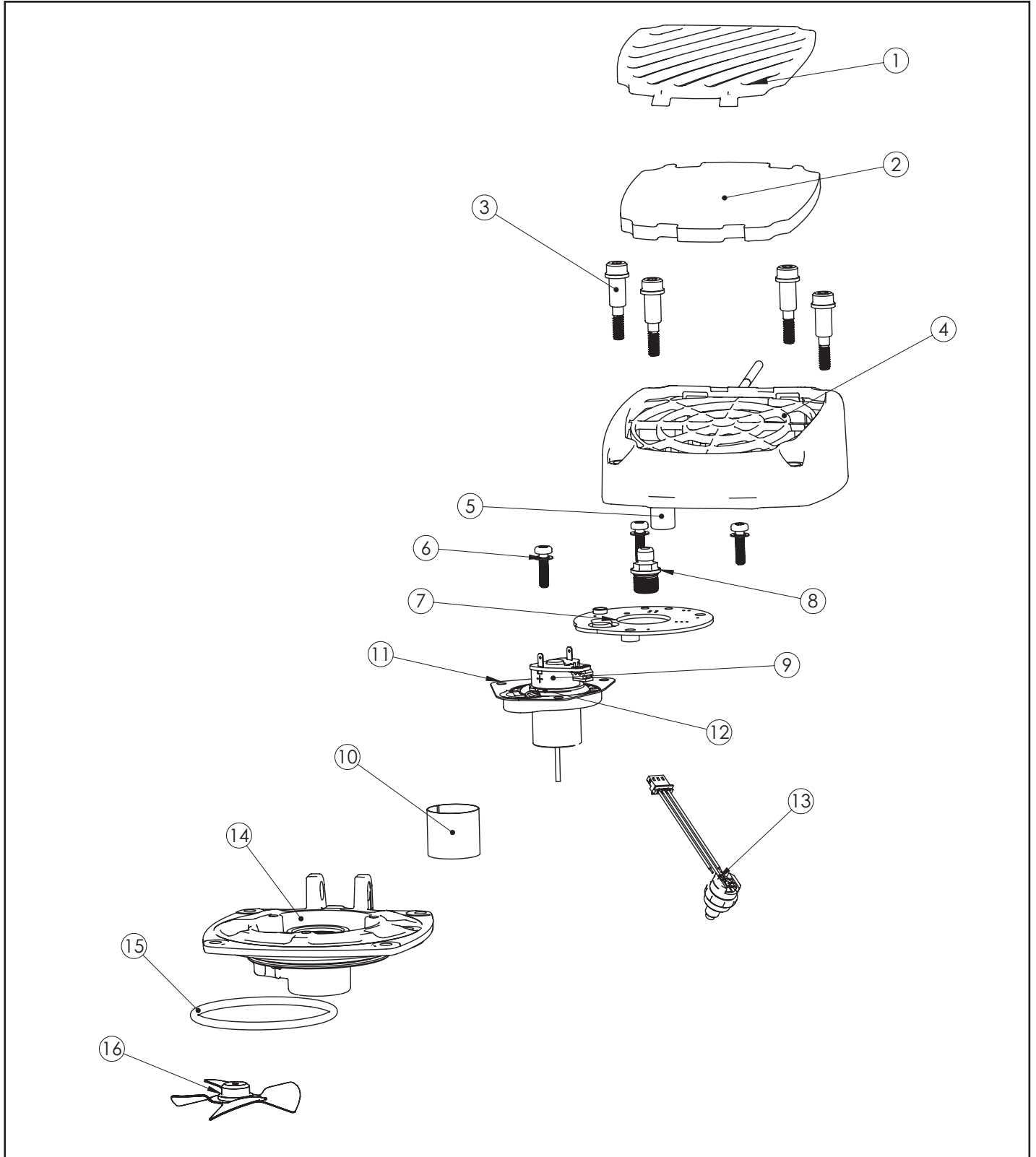


ORDER BY PHONE: 1-800-241-5640

T3 MAGAZINE ASSEMBLY PARTS LIST

KEY	PART NO.	DESCRIPTION
1	B0203	MAGAZINE LEFT & RIGHT HALF
2	B0204	FRONT & REAR RAILS
3	B0213A	SHEAR BLOCK & SCREW
4	B0206	CONNECTION BLOCK/SHEAR BLOCK SCREWS (PKG QTY 4)
5	B0207	FOLLOWER ASSY. W/CONSTANT FORCE SPRING
6	B0208	MAGAZINE SCREWS (PKG QTY 5)
7	B0147	LOCKOUT BRACKET
8	B0102	WEAR PAD, FOOT
9	B0215	MAGAZINE LATCH BRACKET
—	B0234	T3 EASY RELEASE MAGAZINE ASSEMBLY INCLUDES: MAGAZINE HALVES, SHEAR BLOCK KIT, FOLLOWER ASSEMBLY, FRONT RAIL, REAR RAIL, SCREWS, LATCH BRACKET

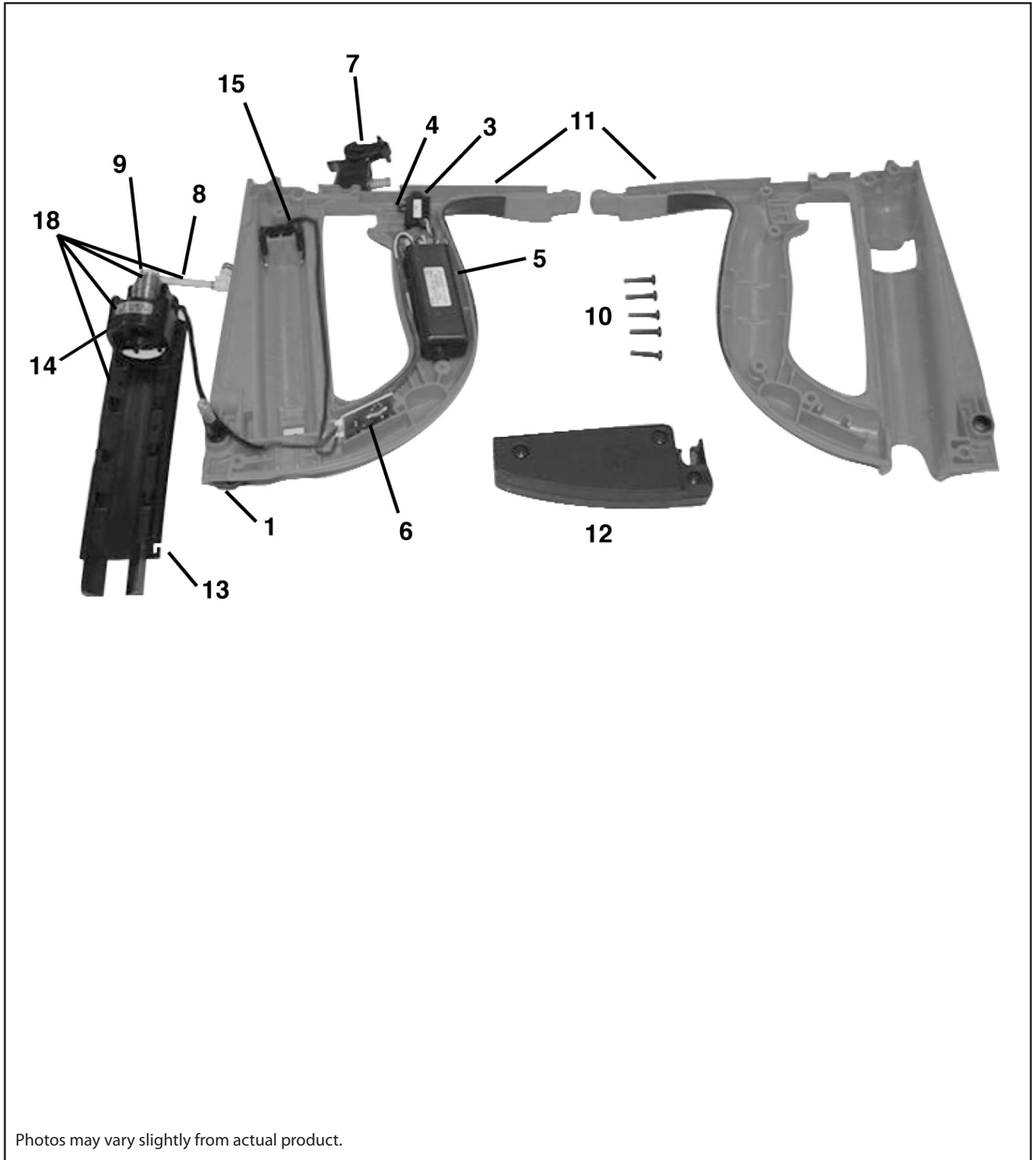
ORDER BY PHONE: 1-800-241-5640



ORDER BY PHONE: 1-800-241-5640

KEY	PART NO.	DESCRIPTION
1	B0017	GRILL CAP, T3
2	B0095	FOAM FILTER, T3
3	901065A	CAP SCREWS (PKG QTY OF 4)
4	B0016	CAP (GRILL & FILTER NOT INCLUDED)
5	B0121	SPARK PLUG WIRE & BOOT
6	B0061A	SCREWS, PC BOARD (For T3MAG tools before July 2009, S/N: 1509070048 and w/ O-ring head) (For T3SS tools before July 2009, S/N: 1409070110 and w/ O-ring head)
6	100037	SELF THREADING SCREW, LONG, PC BOARD (1 Required – For tools built after July 2009 or with Steel Ring Head)
6	100009	SELF THREADING SCREW, SHORT, PC BOARD (2 Required – For tools built after July 2009 or with Steel Ring Head)
7	B0040	PC BOARD
8	7505164	SPARK PLUG ASSEMBLY
9	900525A	FAN MOTOR KIT (Includes: Fan, Motor Sleeve, Motor Mount, Retaining Ring & Fan Blade)
10	401356	MOTOR SLEEVE
11	900470	MOTOR MOUNT
12	401355	MOTOR RETAINING SNAP RING
13	404601	HEAD SWITCH
14	B0078	CYLINDER HEAD (This replacement part uses Steel Rings)
15	403992	O-RING, CYLINDER HEAD (for tools using O-ring Cylinder Head)
15	900935A	STEEL RINGS, CYLINDER HEAD (PKG QTY OF 2) (For tools built after March 2011 and/or using Steel Ring Cylinder Head)
16	403167	FAN BLADE

ORDER BY PHONE: 1-800-241-5640



Photos may vary slightly from actual product.

ORDER BY PHONE: 1-800-241-5640

KEY	PART NO.	DESCRIPTION
1	333380	KNOB ASSEMBLY, T3SS
1A	B0227A	T3MAG EASY RELEASE KNOB KIT (INCLUDES: KNOB CAP, KNOB BASE, KNOB SHAFT HARDWARE)
2	404619	INSULATOR (PLACED UNDER TRIGGER SWITCH)
3	404490	TRIGGER SWITCH
4	7405091	SCREWS #2 – 5/8 (PKG OF 2), TRIGGER SWITCH
5	B0134	SPARK UNIT – MEFI, T3
6	B0093	EFI JUNCTION BOARD
7	B0006A	TRIGGER ASSEMBLY
8	B0050A	FUEL CONNECTOR ASSEMBLY
9	B0160	FUEL VALVE
10	B0100A	HANDLE SCREWS (PKG. OF 5)
11	B0176	LEFT & RIGHT SIDE HANDLE ASSEMBLY
12	B0144	REAR FOOT ASSEMBLY (T3SS ONLY)
13	B0018	FUEL SPACER PLATE
14	B0090A	FUEL CELL EJECT BUTTON & LATCH KIT
15	B0011	BATTERY TERMINAL ASSEMBLY
16	B0210A	BELT HOOK KIT
18	B0160A	FUEL VALVE & SPACER PLATE ASSEMBLY
—	B0029	HANDLE TO HOUSING BUSHING
—	B0030	HEAD TO HANDLE BUSHING
—	B0058	BUSHING SCREW, M5x10

ORDER BY PHONE: 1-800-241-5640