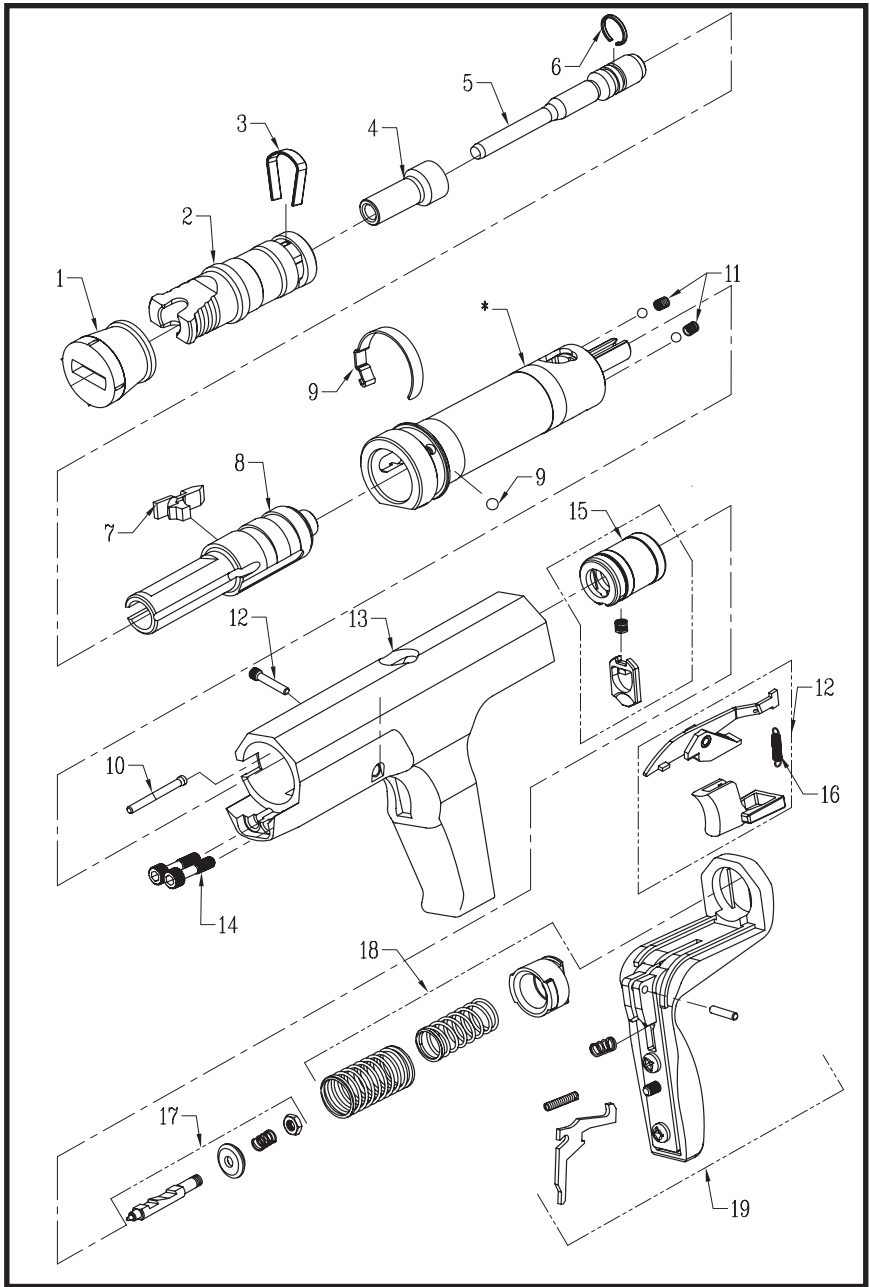


# R25 PARTS SCHEMATIC



**R25 TOOL PARTS LIST**

---

<b>KEY</b>	<b>PART NO.</b>	<b>DESCRIPTION</b>
1	SC306053	SPALL GUARD
2	SC326009	FRONT BARREL (BASEPLATE)
3	SC301011A	SHEAR CLIP (PKG. OF 3)
4	SC306010	FASTENER GUIDE
5	SC325207A	PISTON ASSEMBLY
6	SC301208	PISTON RING
7	SC306012	PAWL (STOP)
8	SC325006	REAR BARREL (PISTON SLEEVE)
9	SC306014A	BARREL RETENTION ASSEMBLY
10	SC301016	PUSH PIN
11	SC301046A	DETENT BALL ASSEMBLY
12	SC301034A	TRIGGER ASSEMBLY AND PIN
13	SC325001A	TOOL BODY
14	SC306015	BOLT (2)
15	SC301300A	SEAR HOLDER ASSEMBLY
16	SC301531	SPRING, ADVANCE BAR
17	SC301400	FIRING PIN ASSEMBLY
18	SC301026A	FIRING PIN SPRING ASSEMBLY
19	SC301600	HANDLE ASSEMBLY