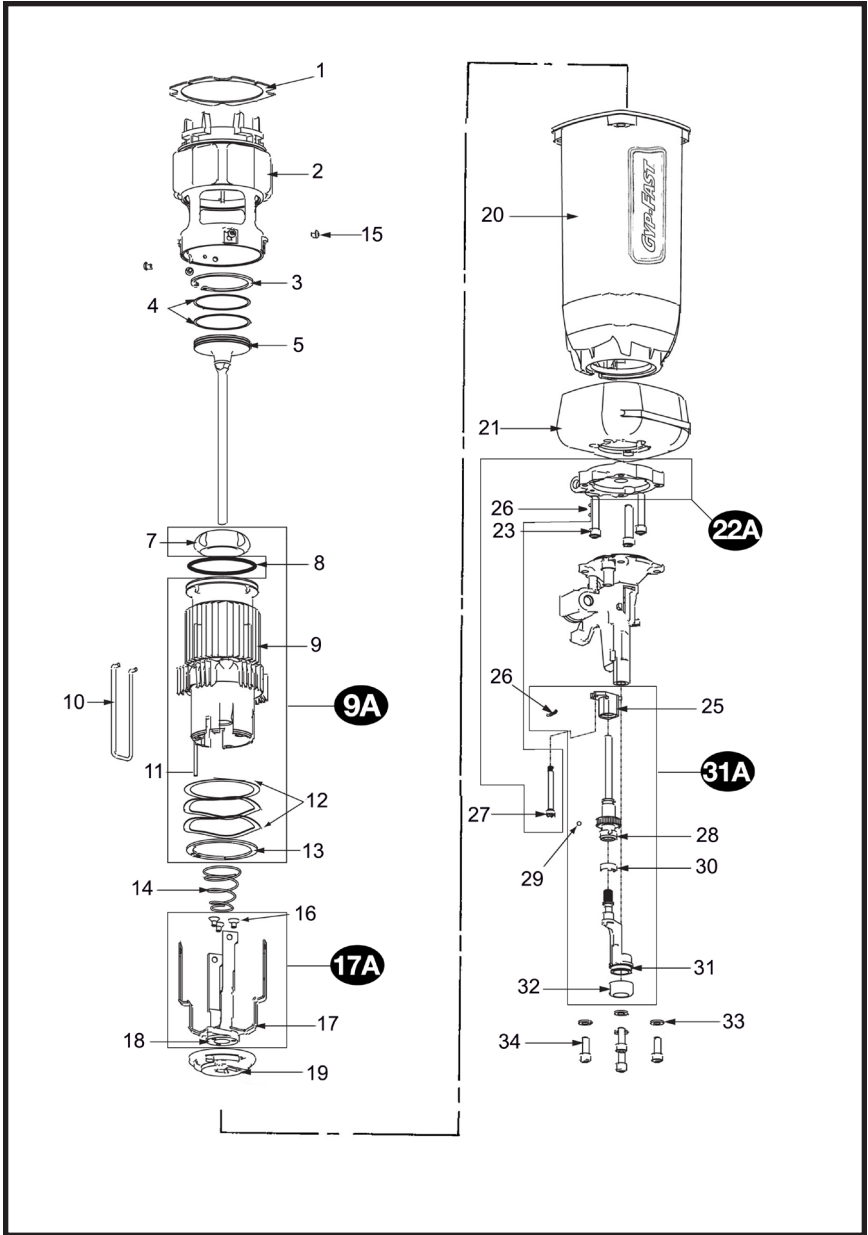


GYPFAST TOOL SCHEMATIC

HOUSING ASSEMBLY



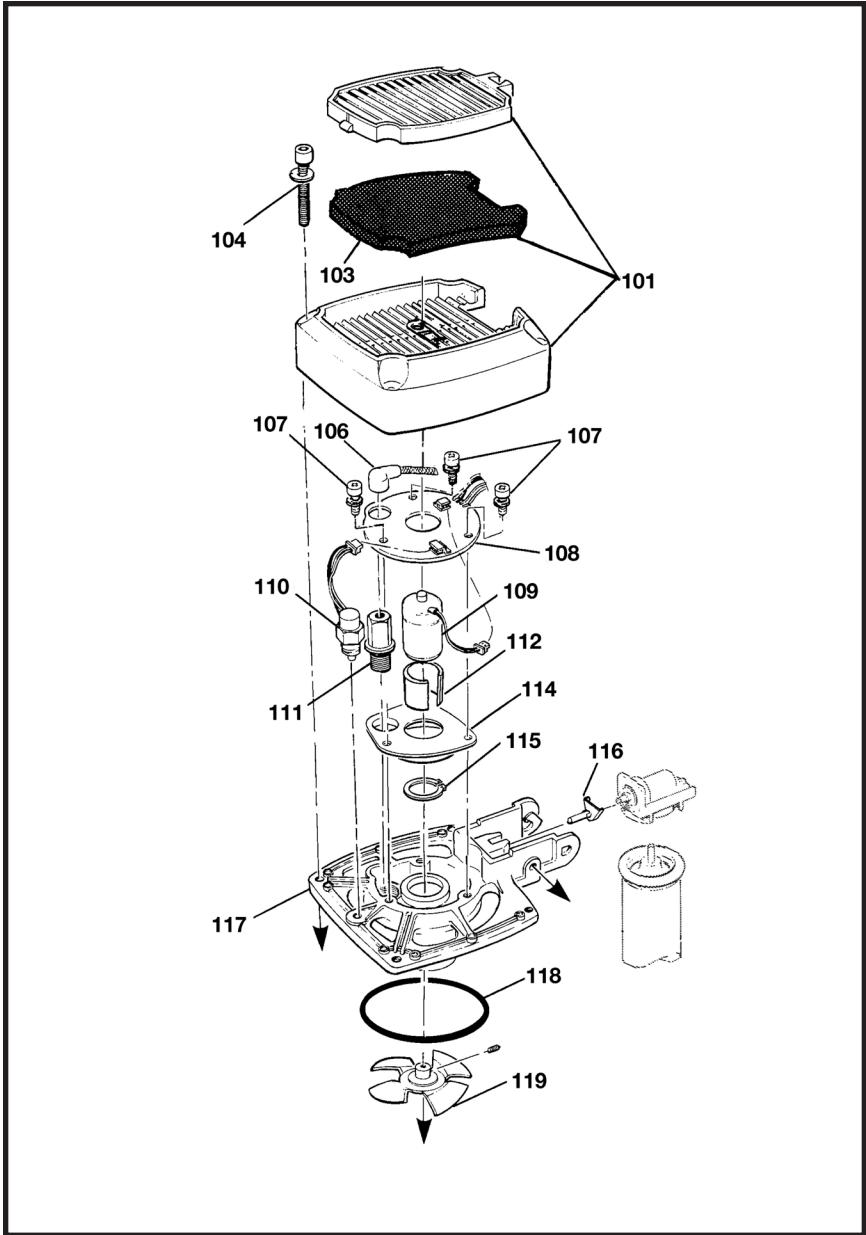
GYPFAST PARTS LIST

HOUSING ASSEMBLY

KEY	PART NUMBER	DESCRIPTION
1	401313	AIR DAM
2	2709910	COMBUSTION CHAMBER
3	401328	PISTON STOP RETAINING RING
4	7405055	PISTON RINGS (PKG. OF 2)
5	100034	PISTON ASSEMBLY WITH PISTON RINGS
7	7505109	BUMPER
8	404482	SLEEVE O-RING
10	2716910	CHAMBER LOCK OUT BAR, LONG
11	2708910	COMBUSTION PRESSURE FEED TUBE
12	7405056	WASHER/SEAL KIT
13	401322	MID-CHECK RETAINING RING
14	401488	CAGE SPRING
15	092769	CAGE SCREWS #10-32 x 1/4" (4 REQ'D)
19	2707910	SPACER
20	2702910	MOTOR HOUSING
21	2711910	DUST SHIELD
23	2768910	SCREWS #10-24 x 1-1/4" SHCS (3 REQ'D)
25	2710910	DEPTH ADJUSTMENT BLOCK
26	2630910	ROLL PIN
27	2759910	GUIDE PIN
28	2715910	DEPTH ADJUSTMENT ROD
29	2646910	BALL BEARINGS (PKG OF 2)
30	2647910	BAND RETAINER
32	2649910	YOKE TIP
33	2639910	LOCK WASHER, NOSE M6 (4 REQ'D)
34	2598910	SHCS, NOSE M6 x 18mm (4 REQ'D)

GYPFAST TOOL SCHEMATIC

HANDLE ASSEMBLY (PART 1)



GYPFAST PARTS LIST

HANDLE ASSEMBLY (PART 1)

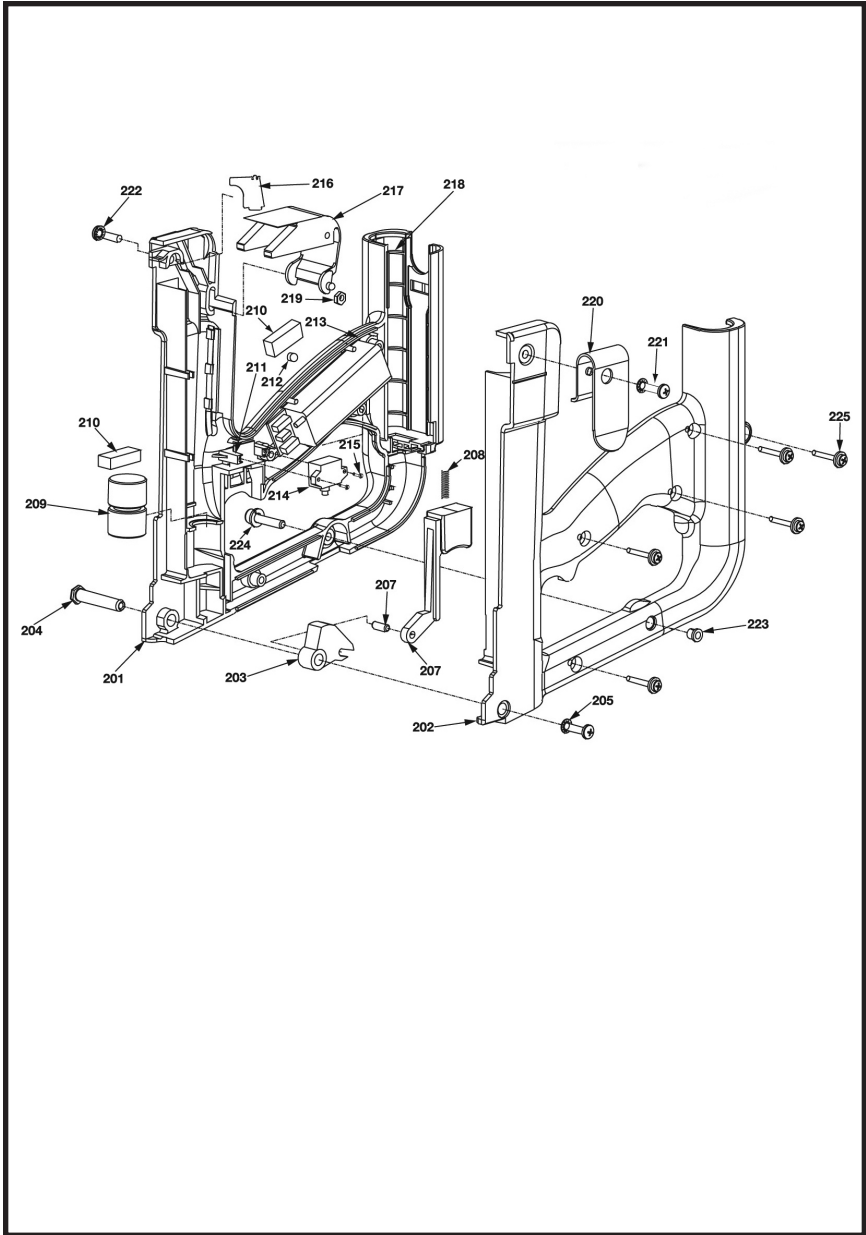
KEY	PART NUMBER	DESCRIPTION
101	401365	CAP, GRILL & FILTER ASSEMBLY
103	7505018	FOAM FILTER ONLY
104	901065A	SCREW KIT PKG. OF 4
106	2728910	SPARK WIRE & BOOT ONLY
107	7405090	P.C. BOARD SCREW (PKG. OF 3)
108	2727910	P.C. BOARD ASSY.
109	900525A	FAN MOTOR KIT**
110	404601	HEAD SWITCH ASSEMBLY
111	7505164	BLACK SPARK PLUG (WITH O RING)
112	401356	MOTOR SLEEVE
114	900470	MOTOR MOUNT
115	401355	MOTOR RETAINING RING
116	401340	RED STEM ADAPTER
117	401336	CYLINDER HEAD
118	403992	O-RING (CYLINDER HEAD)
119	403167	FAN BLADE WITH SET SCREW

NOTE: It is important to use all kit parts when replacing the fan motor. Failure to do so will greatly reduce the life of the motor.

** Fan Motor Kit includes: fan motor, motor mount, motor sleeve, snap ring and fan blade.

GYPFAST TOOL SCHEMATIC

HANDLE ASSEMBLY (PART 2)



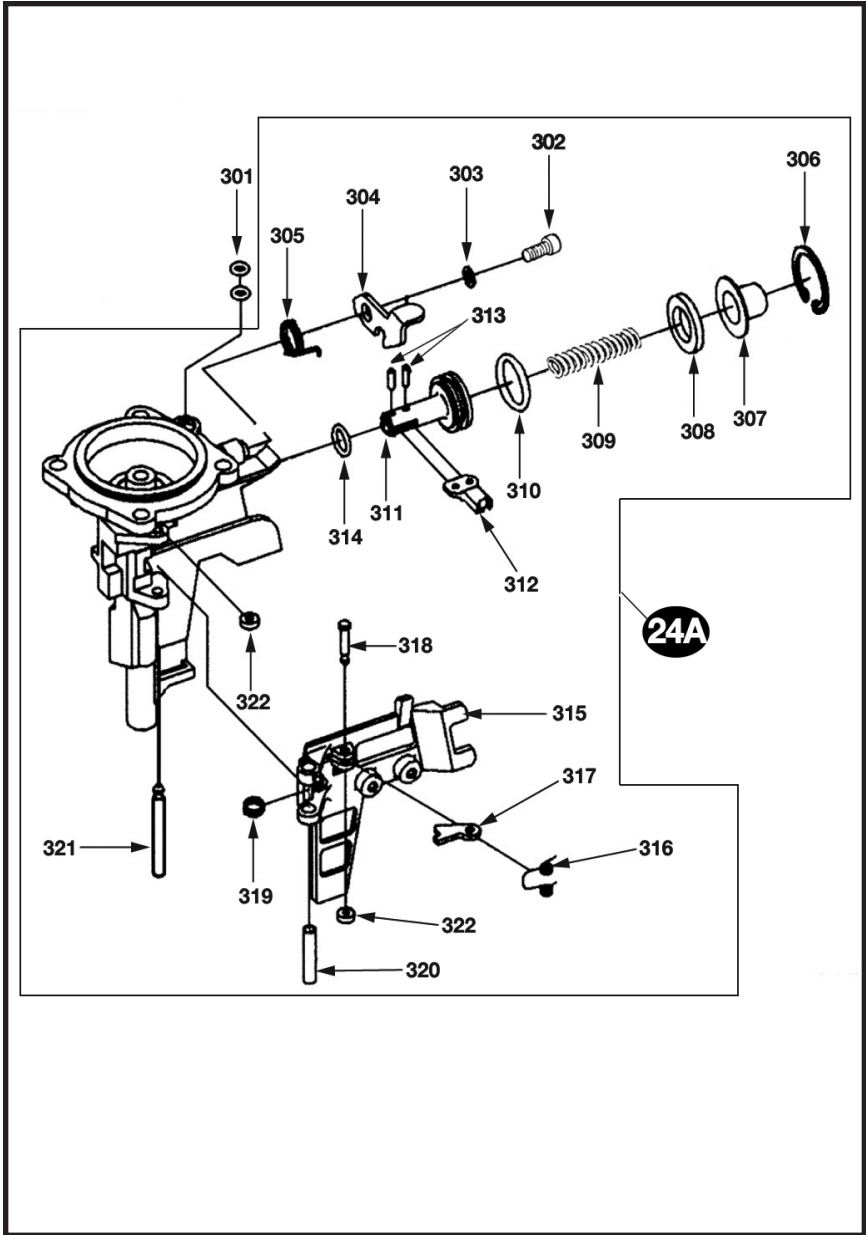
GYPFAST PARTS LIST

HANDLE ASSEMBLY (PART 2)

KEY	PART NUMBER	DESCRIPTION
201	2721910	HANDLE, RIGHT
202	2722910	HANDLE, LEFT
203	401396	CAM
204	401397	CAM BUSHING
205	401408	SCREW & WASHER #10-32
207	401394A	TRIGGER
208	401395	TRIGGER SPRING
209	2753910	SPACER, MFI FUEL CELL
210	401450	FUEL CELL PAD (PKG OF 2)
211	404619	TRIGGER SWITCH INSULATOR
212	2304910	LIGHT PIPE
213	900280	SPARK UNIT W/CONNECTOR
214	404490	TRIGGER SWITCH
215	402201	TRIGGER SCREW, #2 x 5/8"
216	900012	WIRE COVER PLATE
217	401400A	ACTUATOR ASSEMBLY
218	100076	BATTERY CONTACT AND SUPPORT TRAY ASSEMBLY
219	401405	HEX NUT, #6-32 (5 REQ'D)
220	401495	BELT HOOK
221	401407	CLY HD/BELT HK SCREW
222	401408	SCREW & WASHER, #10-32
223	2766910	INSERT #10-24
224	2779910	SCREW/LOCK WASHER #10
225	401403	SCREW/WASHER #6-32 x 1" (5 REQ'D)

GYPFAST TOOL SCHEMATIC

NOSE ASSEMBLY



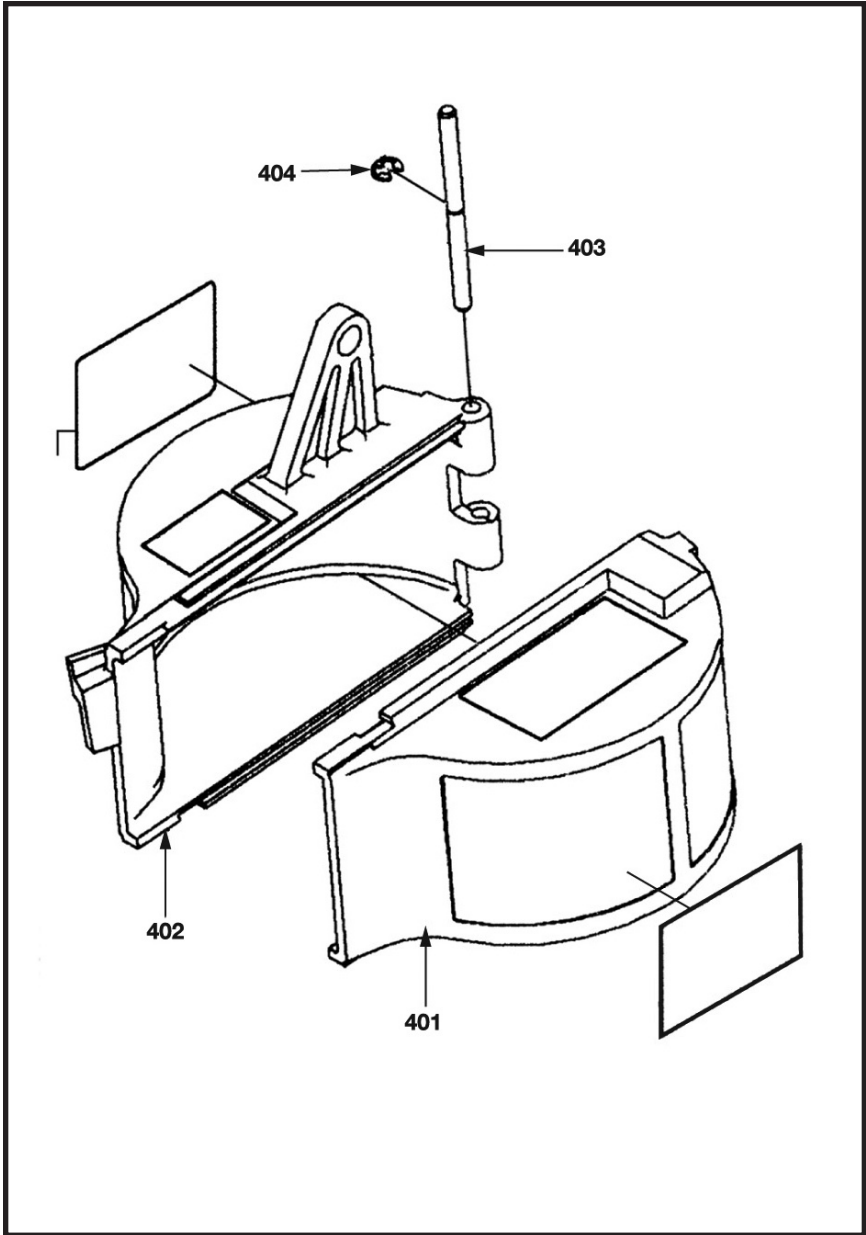
GYPFAST PARTS LIST

NOSE ASSEMBLY

KEY	PART NUMBER	DESCRIPTION
301	2769910	FEED TUBE O-RING
302	2654910	SCREW, LATCH
303	2653910	WASHER LATCH
304	2756910	LEVER, MAGAZINE
305	2651910	TORSION SPRING, LATCH
306	2663910	RING, STOP
307	2662910	COVER, FEED
308	2661910	CUSHION, FEED
309	2660910	SPRING, FEED PISTON
310	2659910	O-RING, LARGE
311	2657910	PISTON FEED
312	2658910	TIP-FEED
313	2656910	ROLL PIN, FEED PISTON (2 REQ'D)
314	2655910	SMALL FEED PISTON O-RING
315	2664910	GATE
316	2668910	SPRING, BACKUP TIP
317	2667910	TIP, BACKUP
318	2665910	PIN, GATE
319	2670910	TORSION SPRING, GATE
320	2669910	SPACER GATE
321	2640910	PIN, GATE
322	2666910	WASHER, URETHANE

GYPFAST TOOL SCHEMATIC

MAGAZINE ASSEMBLY — PART NO. 2696910 SCHEMATIC 89A



GYPFAST PARTS LIST

SLEEVE / FEED TUBE ASSEMBLY — PART NO. 100074 (SCHEMATIC NO. 9A)

SCHEMATIC NO.	QTY	DESCRIPTION
7	1	BUMPER
9	1	SLEEVE
11	1	COMBUSTION PRESSURE FEED TUBE
12	1	WASHER/SEAL KIT
13	1	MID-CHECK RETAINING RING

CAGE ASSEMBLY - PART NO. 2714910 (SCHEMATIC NO. 17A)

SCHEMATIC NO.	QTY	DESCRIPTION
16	3	PROBE/CAGE ASSEMBLY SCREWS #10-32 X 3/8"
17	1	CAGE
18	1	UPPER PROBE

FLANGE ADAPTOR ASSEMBLY - PART NO. 100075 (SCHEMATIC NO. 22A)

SCHEMATIC NO.	QTY	DESCRIPTION
22	1	FLANGE ADAPTOR
26	1	ROLL PIN
27	1	GUIDE PIN

GYPFAST PARTS LIST

NOSE ASSEMBLY - PART NO. 2713910 (SCHEMATIC NO. 24A) SCHEMATIC NO. QTY DESCRIPTION

302	1	SCREW, LATCH
303	1	WASHER, LATCH
304	1	LEVER, MAGAZINE
305	1	TORSION SPRING, LATCH
306	1	RING, STOP
307	1	COVER, FEED
308	1	CUSHION, FEED
309	1	SPRING, FEED PISTON
310	1	O-RING, LARGE
311	1	PISTON FEED
312	1	TIP-FEED
313	2	ROLL PIN, FEED PISTON
314	1	SMALL FEED PISTON O-RING
315	1	GATE
316	1	SPRING, BACKUP TIP
317	1	TIP, BACKUP
318	1	PIN, GATE
319	1	TORSION SPRING, GATE
320	1	SPACER, GATE
321	1	PIN, GATE
322	1	WASHER, URETHANE

GYPFAST PARTS LIST

SAFETY YOKE ASSEMBLY - PART NO. 2698910 (SCHEMATIC NO. 31A)

SCHEMATIC NO.	QTY	DESCRIPTION
25	1	DEPTH ADJUSTMENT BLOCK
26	1	ROLL PIN
28	1	DEPTH ADJUSTMENT ROD
29	2	BALL BEARINGS
30	1	BAND RETAINER
31	1	SAFETY YOKE
32	1	YOKE TIP

MAGAZINE ASSEMBLY - PART NO. 2696910 (SCHEMATIC NO. 89A)

SCHEMATIC NO.	QTY	DESCRIPTION
401	1	DOOR ASSEMBLY
402	1	MAGAZINE
403	1	PIN, HINGE
404	1	E-RING, HINGE PIN